

Figure 1

TYPICAL CROSS SECTION SIX-LANE DIVIDED PRIMARY ARTERIAL

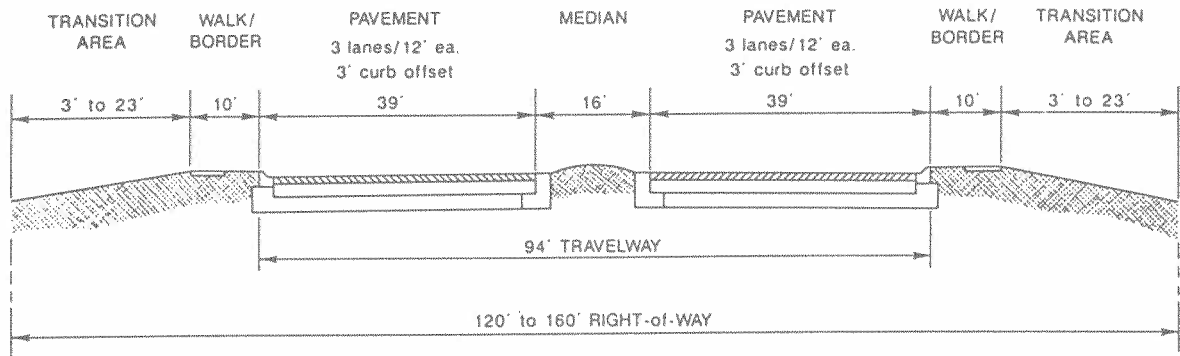
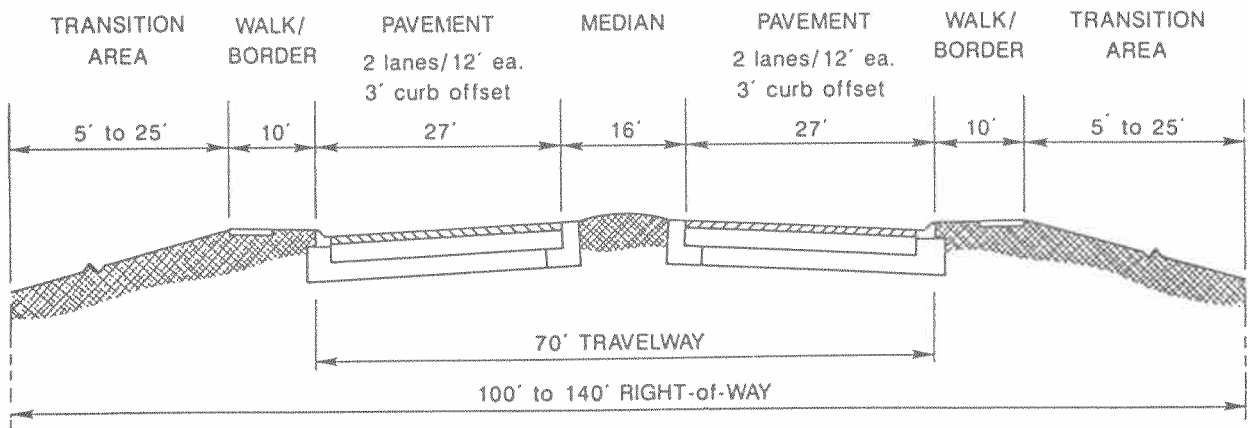


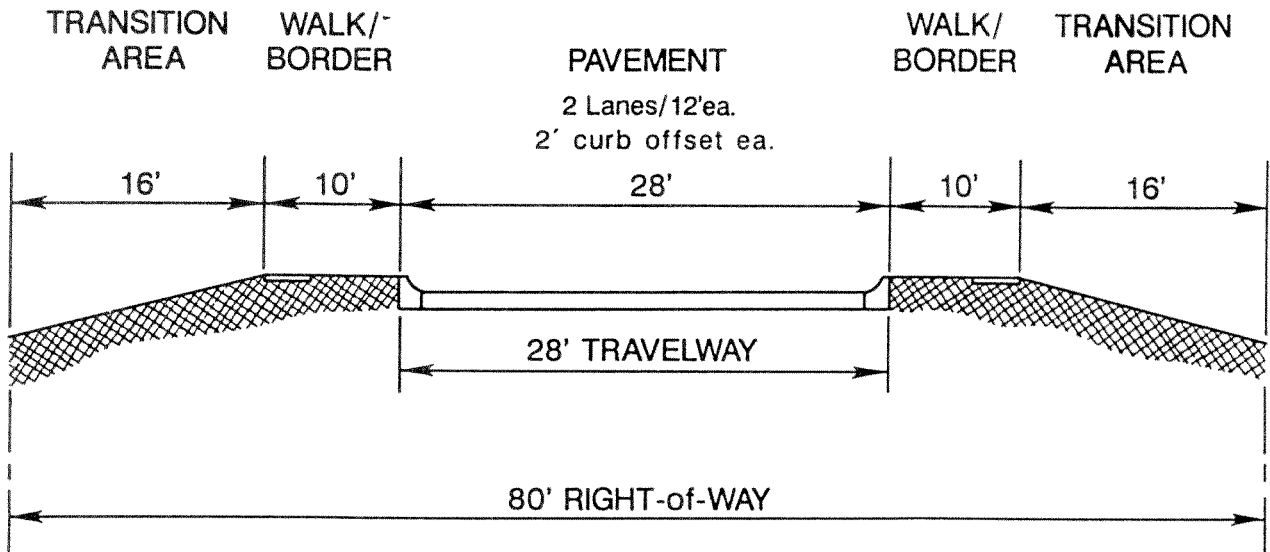
Figure 2

TYPICAL CROSS SECTION FOUR-LANE DIVIDED ARTERIAL  
(PRIMARY AND SECONDARY)



**Figure 3**

**TYPICAL CROSS SECTION TWO-LANE SECONDARY ARTERIAL  
(FOR RECONSTRUCTION)**



**Figure 4**

**TYPICAL CROSS SECTION COLLECTOR STREET**

